

Cost efficient solution

DIGORA® Optime system makes your daily imaging workflow easier and more efficient: Intuitively easy to learn and simple to use system provides leading clinical results repeatedly and automatically.

Digital for all intraoral imaging needs

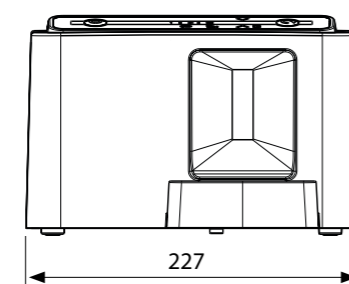
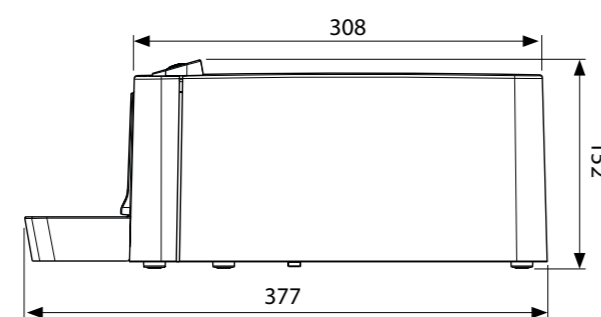
Imaging plate sizes, including Comfort Occlusal™ 4C for occlusal projection images, are available for all intraoral applications and patient sizes. DIGORA® Optime imaging plates with high wear resistance serve you time after time, making the use of the system cost-efficient. Proprietary SOREDEX® accessories (hygiene bags and Opticover™) ensure hygienic safety and maximize lifetime of the imaging plates.

Easy to share with multiple users

Standard network (LAN) connection allows one DIGORA® Optime to serve multiple operatory rooms. Network sharing is an effective and economical solution, since images from one DIGORA® Optime can be accessed from multiple locations.

Top reliability

SOREDEX introduced DIGORA® Optime, the world's first intraoral imaging plate system in 1994, so reliability of DIGORA® Optime is built on the most experience in the market and involves all know-how from tens of thousands installations worldwide. Thin, flexible, re-usable imaging plates are easy to handle, resistant to wear and inexpensive to replace.



Technical data

Feature	DIGORA® Optime DXR-60
Technology	Imaging plate (PSP = Photo Stimulable Phosphor plate)
Pixel size (selectable)	30 µm (SUPER RESOLUTION) 60 µm (HIGH RESOLUTION)
Resolution	17 lp/mm
Readout time	3 - 6 seconds
Connection	Standard network connection (Ethernet RJ45)
Dimensions (H x W x D)	152 x 227 x 308 mm (6 x 8.9 x 12,1 ")
Weight	3.5 kg (7.7 lbs)
Operating voltage	100-240 VAC, 50/60 Hz
Operating system	Windows® Vista or Windows® 7

Head office and factory:
SOREDEX
Nahkelantie 160, Tuusula
P.O. Box 148, FI-04301 Tuusula
Finland
Tel. +358 10 270 2000
Fax +358 9 701 5261
info@soredex.com

SOREDEX USA
1245 W. Canal Street
Milwaukee, WI 53233
U.S.A.
Tel. +1 800 558 6120
Fax +1 414 481 8665
usainfo@soredex.com

SOREDEX Germany
Schutterstrasse 12
77746 Schutterwald
Germany
Tel: +49 (0) 781 28 41 98-0
Fax: +49 (0) 781 28 41 98-30
kontakt@soredex.de

www.soredex.com • www.soredex.de • www.soredex.com/usa

Digital imaging made easy™

209246-2 02/13 Printed in Finland



Since 1977 SOREDEX has been a leader in providing innovative imaging solutions for demanding professionals. Through continuous evolution and refinement we have set the highest industry standards for Quality, Reliability and Efficiency.

We are committed to following this path today and in the future.

SOREDEX®/DIGORA®/ Digital imaging made easy™/Comfort Occlusal™/Opticover™/IDOT™ is a registered trademark / a common law trademark of SOREDEX. Other product names and trademarks are the property of their respective owners. CE-marked, NB (CE) number 0537. Electrical safety meets the IEC 60601-1 standard. Manufacturing complies with ISO 13485:2003, ISO 9001:2008, and ISO 14001:2004.

SOREDEX reserves the right to make changes in specifications and features shown herein at any time without notice or obligation. Contact your SOREDEX representative for the most up-to-date information.
© 2012 SOREDEX

DIGORA® Optime



Intraoral imaging plate system
for dental radiography

Your best choice digital intraoral imaging plate system

As other SOREDEX® products, DIGORA® Optime is easy to use and provides excellent clinical results. Every DIGORA® Optime is built on DIGORA® heritage - A heritage based on understanding diagnostic and workflow needs of dental professionals around the world.

With DIGORA® Optime you can not go wrong.

Summary of benefits

Easy

- Easy to set up, instantly ready for use
- Intuitive, simple to learn and use
- Familiar, film-like workflow

Smart

- Sharp, clear images for all intraoral needs automatically and repeatedly
- Smart automated functions and network sharing
- Comfortable and safe

Efficient

- Reliable, maintenance free design
- Wireless, reusable and durable imaging plates



Easy to use

Intuitive, simple to learn and use

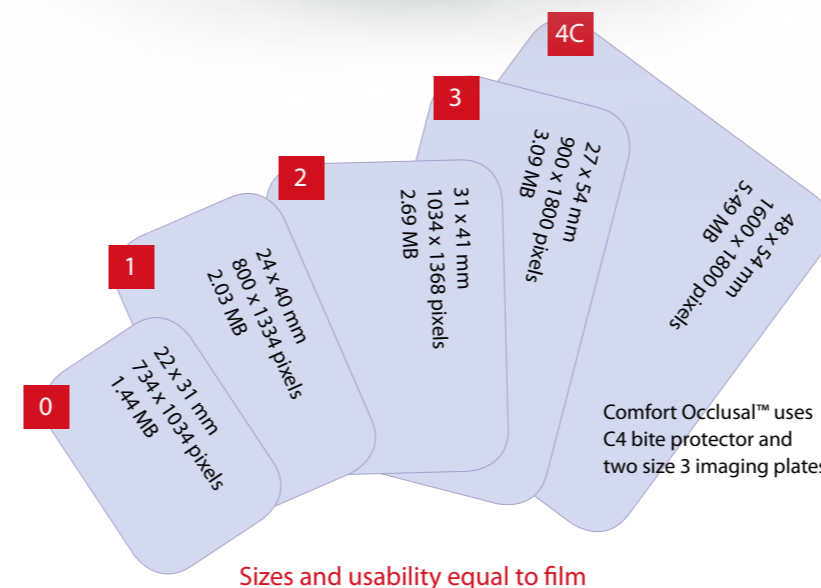
No need to press any buttons during the imaging workflow, just insert the plates. Correct operation is guided with clear, intuitive indicators and supported by automatic imaging plate detection. Imaging plate collector design is optimized for easy and careful picking of the imaging plates.

Familiar, film-like workflow

Imaging plates have no cable and they are thin and flexible like film, so positioning is easy and convenient. Digital images are available in seconds automatically, without any additional manipulation.

Patented IDOT™ imaging plate identification system

Optionally available IDOT™ imaging plates have an individual marking visible also on the X-ray image to support self quality assurance by making it possible to find the plate that was used to take an image.



Sizes and usability equal to film



IDOT™ on the X-ray image



IDOT™ on the imaging plate

Smart tool for all intraoral needs

Clear and sharp images

High contrast images with accuracy to the smallest clinical details help diagnostic work.

Repeatable image quality

DIGORA® Optime offers consistent, enhanced diagnostic quality: Smart auto-optimization adjusts the grey levels of the image and compensates accidental over- or underexposures, resulting optimized clinical image quality and thus confident diagnosis repeatedly, without extra steps.

Smart and automated functions

DIGORA® Optime supports error-free operation. For example, system guides to use correct exposure settings and does not accept improperly inserted imaging plate. Plates are ready for the next use immediately after processing.

Comfortable and safe

Thin, flexible and wireless imaging plates have 100% active area and are comfortable for the patient. Proprietary DIGORA® hygiene accessories are designed for patient comfort and safe use with ease.



Optimized image quality for all intraoral needs - automatically and repeatedly, without extra steps.